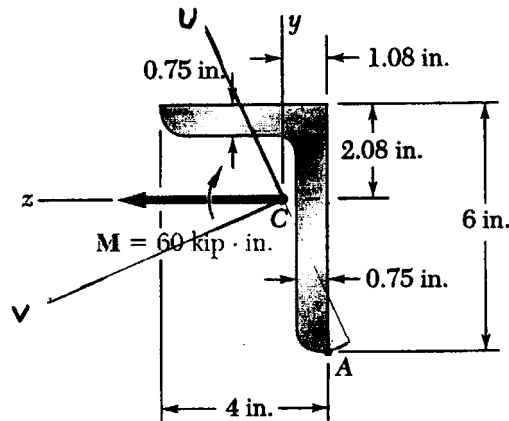


# EXAMPLE – DETERMINATION OF PRINCIPAL CENTROIDAL AXES

## Problem 4.138



$$I_y = 8.7 \text{ in}^4$$

$$I_z = 24.5 \text{ in}^4$$

$$I_{yz} = +8.3 \text{ in}^4$$

Using Mohr's circle, determine the principal axes and principal moments of inertia

